

# DIGIMERGE | Right for Business

## DH250 Series

Digital Video Surveillance  
Recorder 8/16 Channel H.264  
CMS-DH PC/Mac 3G Mobile  
480/480 D1

## TOUCH SERIES DVR



- ❖ Real Time Recording (480fps @D1)
- ❖ Smart Search - Event log, Preview, Motion Area, Go To
- ❖ HDMI, VGA, Spot, Looping Outputs
- ❖ Disk Mirroring Function
- ❖ Advanced User Configuration
- ❖ Up to 8TB internal storage
- ❖ PC/Mac Compatible
- ❖ 3G Smartphone (BlackBerry, iPhone, Android)
- ❖ Tablet Compatible (iPad, Android, Windows)
- ❖ CMS-DH application supports up to 300 DVRs, 64 ch/screen, E-Map, full control
- ❖ Hardware Watch-Dog/Power Failure Recovery: Auto Reboot while Maintaining Previous Settings & Data
- ❖ Alarm Notification (MAX 10 users): e-mail alert
- ❖ Fan lock detection for fire safety
- ❖ DVR Temperature alert: Auto Power-Off



3G Smart  
Phone Viewing,  
BlackBerry,  
iPhone, iPad  
& Android



GUI



CMS-DH

# Specifications

## System

Multiple Function	Pentaplex
OS	Embedded Linux
Video Input	8ch/16ch
Video Output	Main: 1 HDMI, 1 VGA, 1 Composit Spot: 1(8), 3(16) Programmable Looping: 8/16
Audio Input/Output	8/16 - 1(RCA)
Communication Port	RS-232C, RS-422, 2*Ethernet (Gigabit), USB 2.0
Power	100~240V, Universal Voltage

## Display and Recording

Compression	H.264
Data Size	0.19~0.3 Mbps/ch @30fps (CIF,Low~D1,Ultra)
Live Display Resolutio	720*480(NTSC) / 720*576(PAL)
Live Display Speed	Real Time
Display Split Mode	1, 4, 6, 7, 8, 9, 10, 13, 16
Recording Speed	480fps 720x480 (NTSC), 400fps 720x576 (PAL) 480fps 720x240 (NTSC), 400fps 720x288 (PAL) 480fps 360x240 (NTSC), 400fps 260x288 (PAL)
Recording Mode	Continuous, Alarm, Motion, Schedule, C+M
Recording Quality	Low, Middle, High, Super, Ultra
Motion Detection	Area: 8*8 selectable grids Sensitivity: 20 Sensitivity levels

## Search and Playback

Search Method	SMART Search, date&time, event, log, motion area
Playback of Backup Files	Mini-Player (auto copy), CMS, AVI
Playback Speed	Multi Level (full frame reverse PB supported)

## Backup and Storage

Backup Storage Interface	2 x USB 2.0, 2 xSATA (SATA-II), 2-Gigabit Lan
External Backup Device	External HDD, DVD-RW, Flash Memory Stick
Storage HDD	Upto 4 Internal HDD (SATA-I) Upto 10 External HDD (SATA-II) via e-SATA x 2
DATA Archiving	Ethemet, Remote PC, External Recording Devices, FTP

## Time

Time Zone	Selectable
DST	Auto
Time Synchronization	Supported via NTP server

## Network and Event

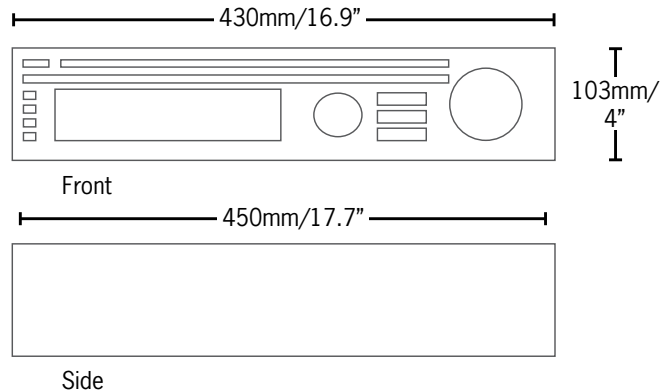
Network Interface	RJ 45/Ethernet
Network Line	LAN, WAN, Internet
Network Transmission Speed	Max 480FPS
Pre-Alarm/Post-Alarm	0 sec~30 sec / 10 sec~300 sec
DDNS	Digimerge DDNS, Public DDNS Selectable
Event Routing	Source: Alarm, Motion, Video Loss, System Power Loss, HDD Failure, Fan Lock, Temp Action: Record, system buzzer, alarm relay spot, e-mail, PTZ event

## Misc

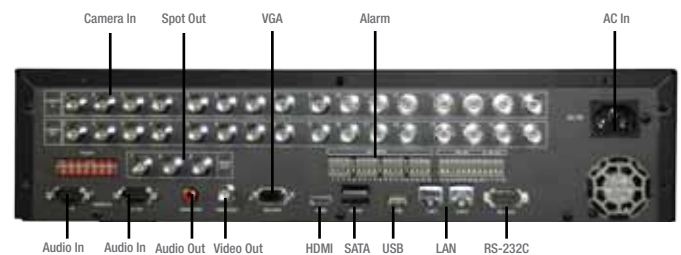
Controls	Mouse, IR remote, front keys, IE
Firmware Upgrade	USB, Network
Dimensions (WxDxH)	430x 450 x 103mm / 16.9 x 17.7 x 4"
Weight	10kg / 22lbs without HDD
Power Consumption	65W
Operating Temp	0°C~40°C / 32°F~104°F

## Dimensions

Weight:	10kg / 22lbs
Package	585mm x 545mm x 250mm / 23" x 21.5" x 9.8"
Dimensions:	(W x D x H)
Cube:	0.08 Cubic Metres / 2.8 Cubic Feet



## Back Panel



## Product Information

UPC:	<b>DH258501</b> 8 Channel 500GB HDD	<b>8-41430-00668-8</b>
	<b>DH2581TB</b> 8 Channel 1TB HDD	<b>8-41430-00669-5</b>
	<b>DH2582TB</b> 8 Channel 2TB HDD	<b>8-41430-00688-6</b>
	<b>DH2584TB</b> 8 Channel 4TB HDD	<b>8-41430-00689-3</b>
	<b>DH2586TB</b> 8 Channel 6TB HDD	<b>8-41430-00725-8</b>
	<b>DH2588TB</b> 8 Channel 8TB HDD	<b>8-41430-00690-9</b>
	<b>DH256501</b> 16 Channel 500GB HDD	<b>8-41430-00671-8</b>
	<b>DH2561TB</b> 16 Channel 1TB HDD	<b>8-41430-00672-5</b>
	<b>DH2562TB</b> 16 Channel 2TB HDD	<b>8-41430-00691-6</b>
	<b>DH2564TB</b> 16 Channel 4TB HDD	<b>8-41430-00692-3</b>
	<b>DH2566TB</b> 16 Channel 6TB HDD	<b>8-41430-00726-5</b>
	<b>DH2568TB</b> 16 Channel 8TB HDD	<b>8-41430-00693-0</b>

Includes: DVR, HDD Pre-Installed, Remote Control, Power Supply, Software application CD